



US00D615795S

(12) **United States Design Patent**
Timmany

(10) **Patent No.:** **US D615,795 S**

(45) **Date of Patent:** **** May 18, 2010**

(54) **BOX SPRING COVER**

2003/0066133 A1* 4/2003 Blossman 5/499
2008/0250561 A1* 10/2008 Poston 5/499

(76) Inventor: **Josephine Timmany**, 63 Oxford Rd.,
New Hartford, NY (US) 13413

* cited by examiner

(**) Term: **14 Years**

Primary Examiner—Janice E Seeger

Assistant Examiner—Mary Ann Calabrese

(21) Appl. No.: **29/336,949**

(74) *Attorney, Agent, or Firm*—QuickPatents, Inc.; Kevin Prince

(22) Filed: **May 12, 2009**

(57) **CLAIM**

(51) **LOC (9) Cl.** **06-13**

I claim the ornamental design for a box spring cover, as shown and described.

(52) **U.S. Cl.** **D6/606**

(58) **Field of Classification Search** D6/595-600,
D6/602, 603, 606, 610, 611; 5/482, 485,
5/495, 496, 497, 499, 501, 510, 658, 699,
5/737, 738, 925

DESCRIPTION

See application file for complete search history.

FIG. 1 is a perspective view of a box spring cover, showing my new design;

FIG. 2 is a front elevational view thereof;

FIG. 3 is a rear elevational view thereof;

FIG. 4 is a right-side elevational view thereof;

FIG. 5 is a left-side elevational view thereof;

FIG. 6 is a top plan view thereof; and,

FIG. 7 is a bottom plan view thereof.

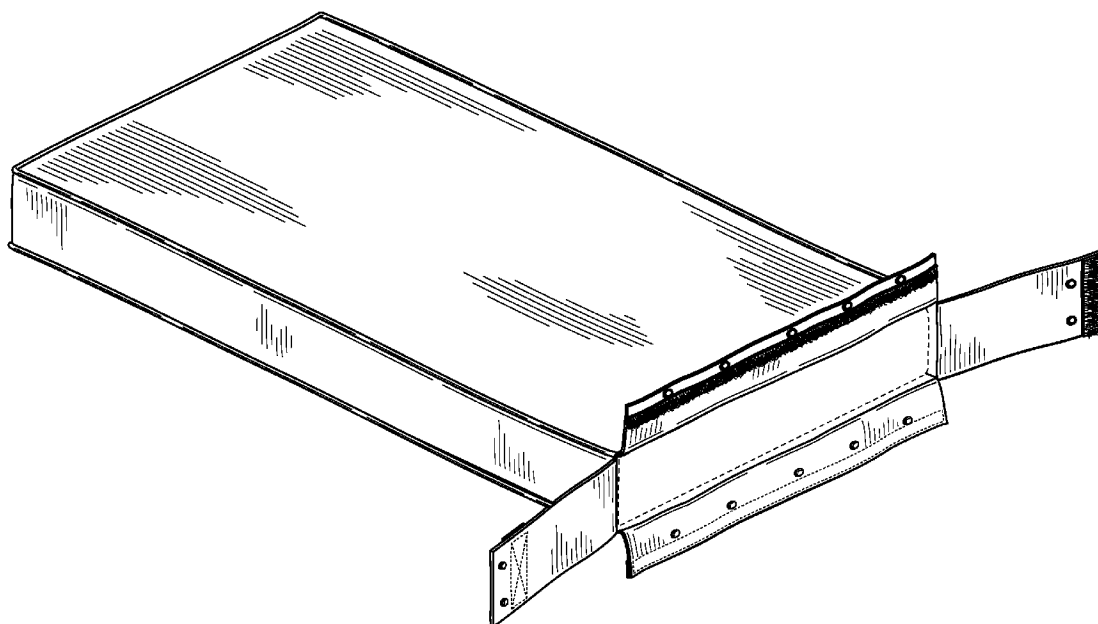
The broken lines showing a box spring mattress in FIG. 1 are included for the purpose of illustrating the invention in use, and form no part of the claimed design. All other broken lines represent stitching.

(56) **References Cited**

U.S. PATENT DOCUMENTS

2,223,568	A *	12/1940	Krasnov	5/499
2,343,260	A *	3/1944	Leader et al.	5/499
2,543,552	A *	2/1951	Leader et al.	5/499
RE24,591	E *	1/1959	Schwartz	5/499
4,164,797	A *	8/1979	Golembeck	5/738
5,050,256	A *	9/1991	Woodcock	5/699
5,642,540	A *	7/1997	Culver et al.	5/499
6,067,677	A *	5/2000	Reen et al.	5/499
6,381,778	B1 *	5/2002	Peterson	5/497
6,804,844	B2 *	10/2004	Cushing	5/497
7,437,784	B1 *	10/2008	Turnipseed	5/510

1 Claim, 4 Drawing Sheets



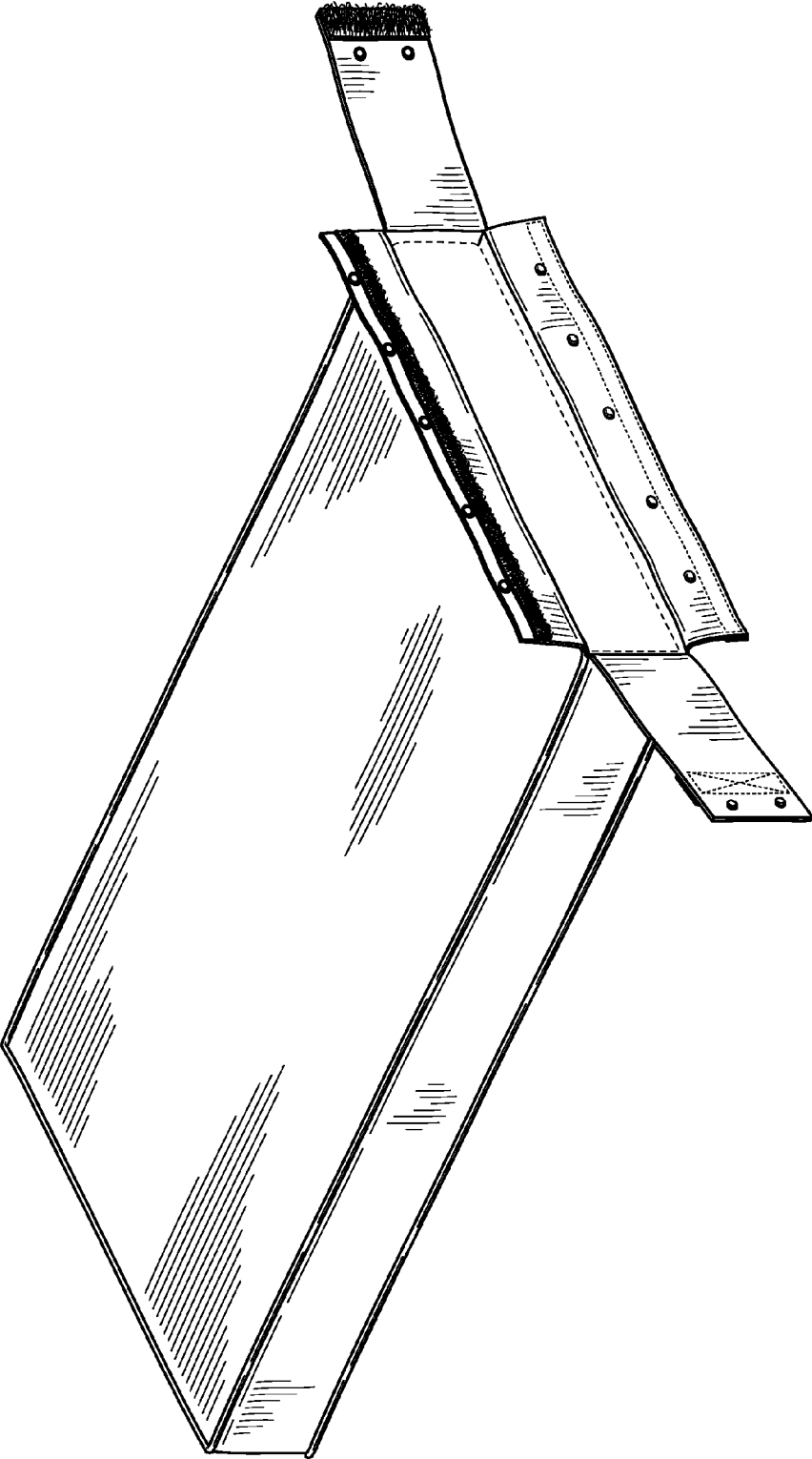


FIG. 1

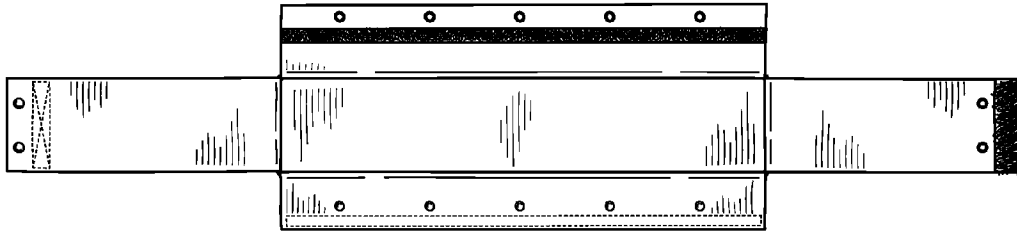


FIG. 2

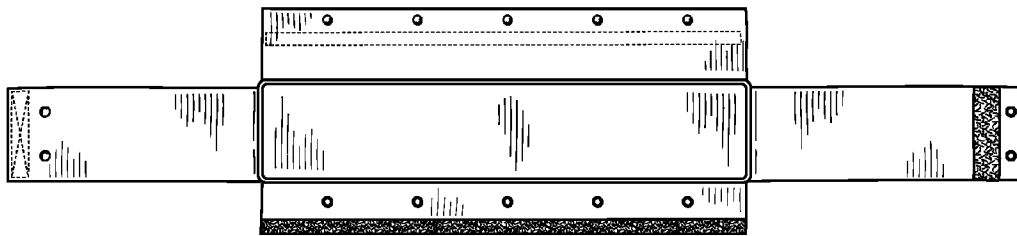


FIG. 3



FIG. 4

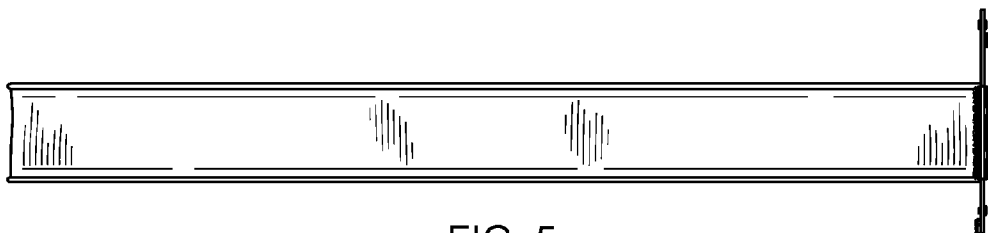


FIG. 5

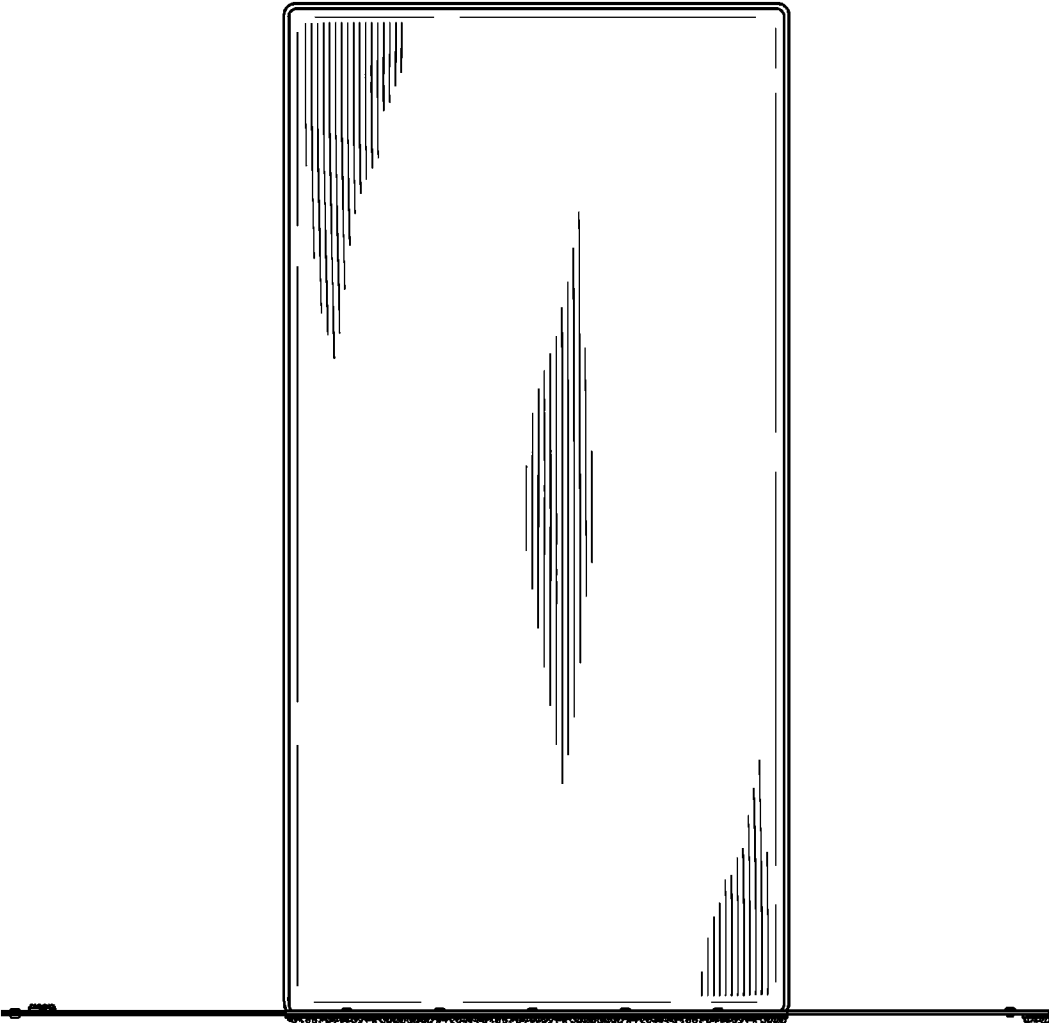


FIG. 6

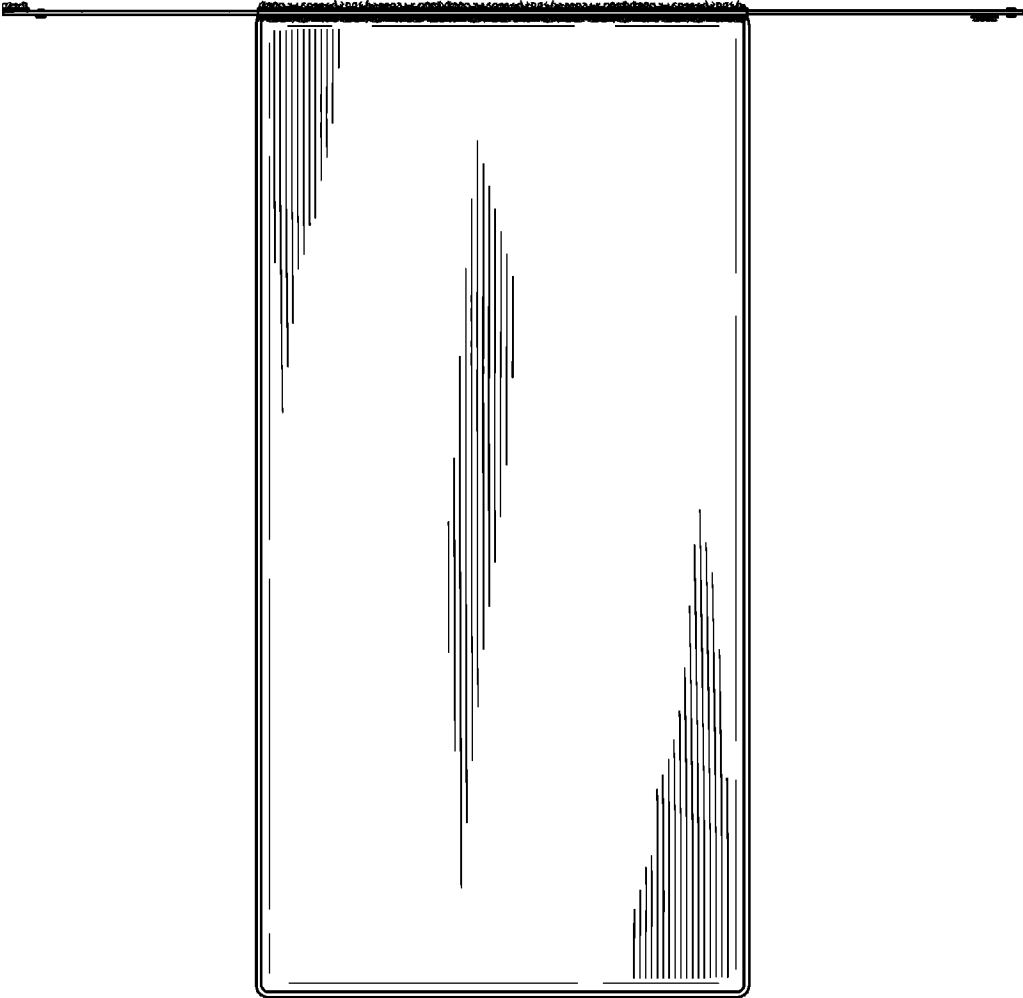


FIG. 7