



US00D615720S

(12) **United States Design Patent**
Small

(10) **Patent No.:** **US D615,720 S**

(45) **Date of Patent:** **** May 11, 2010**

(54) **PAINT ROLLER CLEANER**

(76) Inventor: **Peter W. Small**, 69270 Enewetak,
Sisters, OR (US) 97759

(**) Term: **14 Years**

(21) Appl. No.: **29/337,377**

(22) Filed: **May 20, 2009**

(51) **LOC (9) Cl.** **08-99**

(52) **U.S. Cl.** **D32/35; D4/199**

(58) **Field of Classification Search** **D32/54,**
D32/35; D4/122, 199; 15/257.06; 209/209;
134/138

See application file for complete search history.

(56) **References Cited**

U.S. PATENT DOCUMENTS

D82,725 S	12/1930	Butler	
2,807,039 A	9/1957	Butler	
D185,834 S	8/1959	Lower	
2,938,368 A *	5/1960	Bixel	68/205 R
3,037,516 A	6/1962	Leach	
3,346,899 A	10/1967	Murphy	
3,373,456 A	3/1968	Dalton	
D262,075 S	12/1981	Cooke	
D267,123 S *	11/1982	Fuller	D32/35
D284,237 S	6/1986	Cliche	
D288,973 S	3/1987	Hamazaki	
D290,681 S	7/1987	Pudwill	
4,765,354 A *	8/1988	Thatcher et al.	134/182
D311,280 S	10/1990	Garcia	
D329,179 S	9/1992	Kensrue	
5,178,274 A *	1/1993	Long	206/361
D336,370 S	6/1993	Hunt	
5,238,012 A *	8/1993	Coronato	134/140
D342,356 S	12/1993	Gratopp	
D357,126 S	4/1995	Stachler	

D394,133 S	5/1998	Mead	
D457,697 S	5/2002	Savage	
6,450,185 B1 *	9/2002	Sallinen	134/138
6,530,470 B2 *	3/2003	Roundy	206/15.3
D475,537 S	6/2003	Jessen	
D511,600 S	11/2005	Mowe	
D567,039 S	4/2008	Hughes	
2006/0016464 A1 *	1/2006	Dominey	134/201

* cited by examiner

Primary Examiner—Robin V Webster
(74) *Attorney, Agent, or Firm*—QuickPatents, Inc.; Kevin Prince

(57) **CLAIM**

I claim the ornamental design for a paint roller cleaner, as shown and described.

DESCRIPTION

FIG. 1 is a perspective view of a paint roller cleaner, illustrated in a closed position, showing my new design;

FIG. 2 is a perspective view thereof, illustrated in an open position;

FIG. 3 is a front elevational view of the paint roller cleaner in closed position;

FIG. 4 is a rear elevational view thereof;

FIG. 5 is a right-side elevational view thereof;

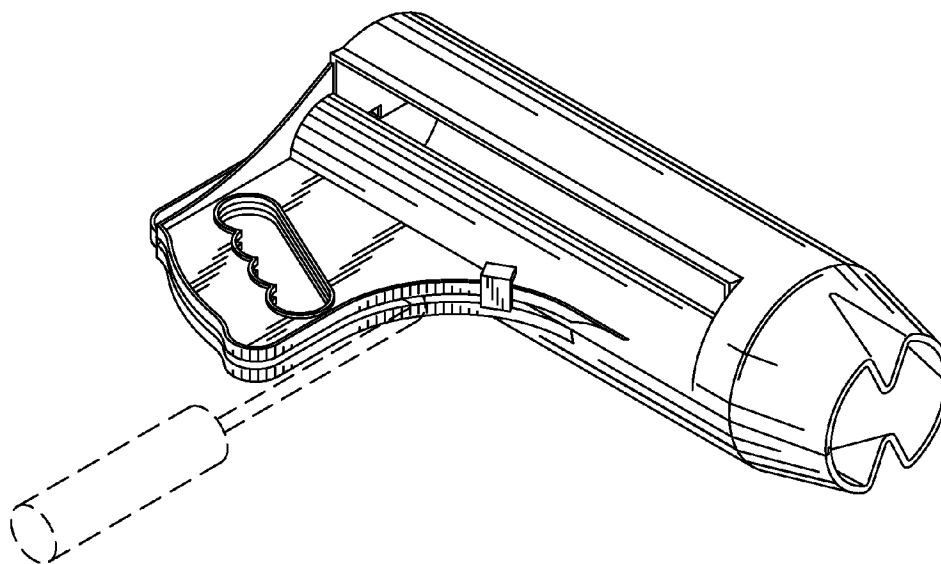
FIG. 6 is a left-side elevational view thereof;

FIG. 7 is a top plan view thereof; and,

FIG. 8 is a bottom plan view thereof.

The broken lines showing a paint roller in FIGS. 1 and 2 are included for the purpose of illustrating the invention in use, and form no part of the claimed design.

1 Claim, 3 Drawing Sheets



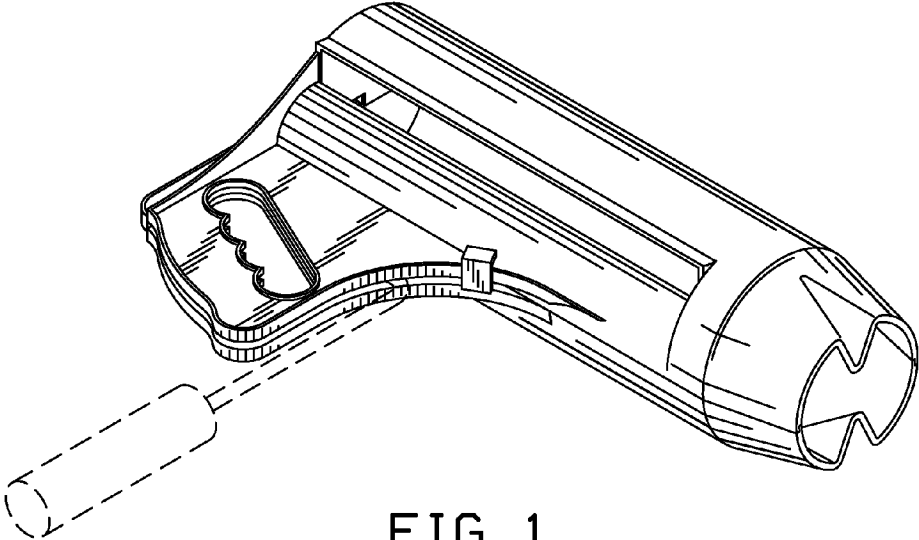


FIG. 1

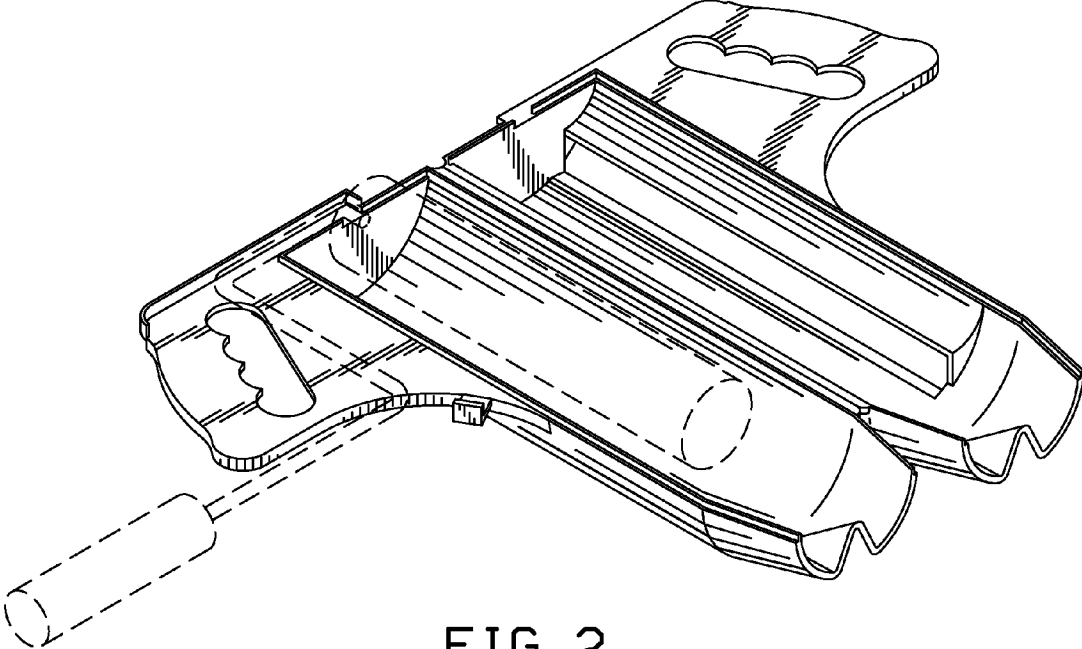


FIG. 2

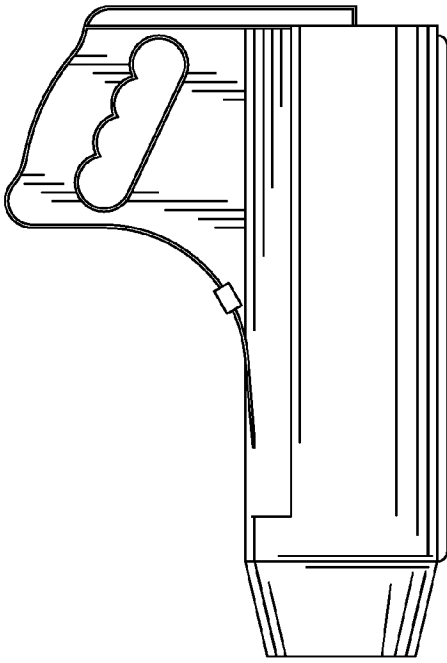


FIG. 3

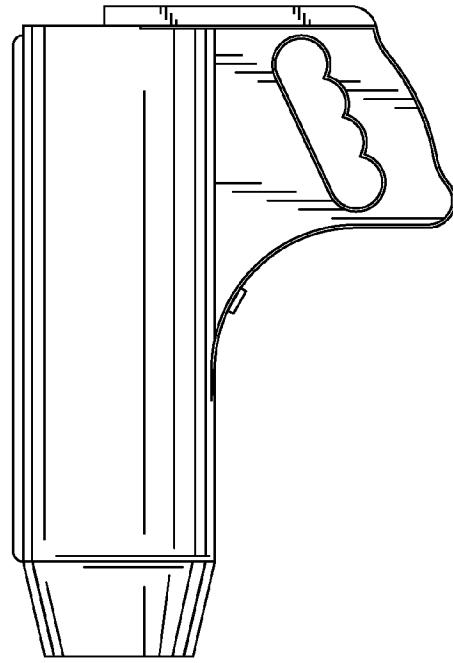


FIG. 4

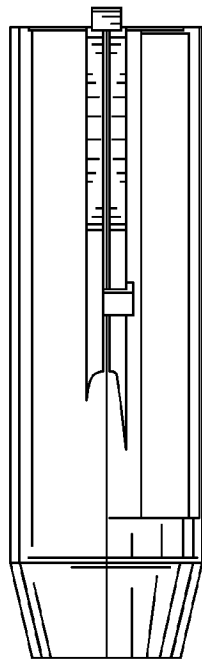


FIG. 5

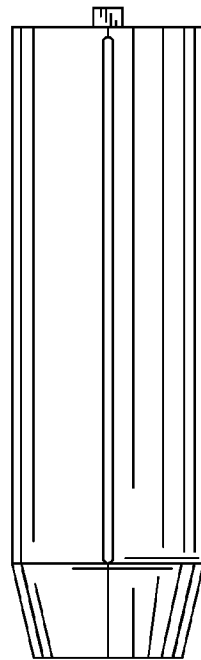


FIG. 6

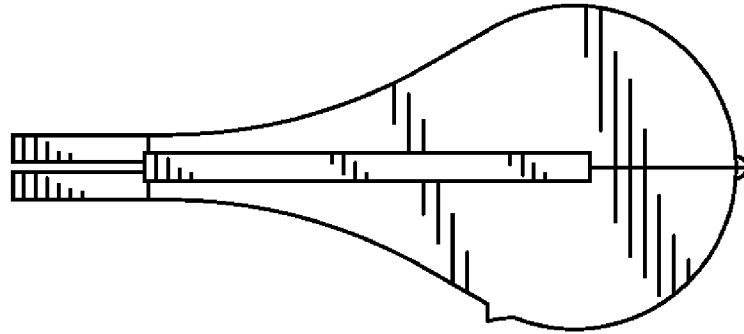


FIG. 7

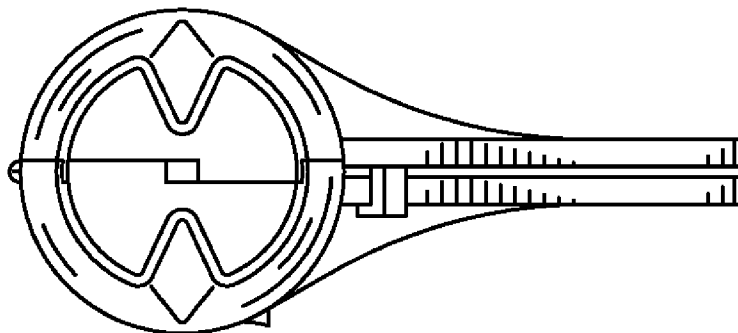


FIG. 8