



US00D612895S

(12) **United States Design Patent**
Stein

(10) **Patent No.:** **US D612,895 S**

(45) **Date of Patent:** **** Mar. 30, 2010**

(54) **PAINTBALL MARKER GUN PUMPARM ROD GUIDE**

(76) Inventor: **Joseph E. Stein**, 12345 Mountain Ave.
#L, Chino, CA (US) 91710

(**) Term: **14 Years**

(21) Appl. No.: **29/344,771**

(22) Filed: **Oct. 4, 2009**

(51) **LOC (9) Cl.** **21-01**

(52) **U.S. Cl.** **D21/573; D22/108**

(58) **Field of Classification Search** D21/570,

D21/572-575; D22/100, 101, 103-105,

D22/108-111; D8/18, 19, 349, 354; 42/98;

124/41.1, 56, 69, 71-80; 89/1.42

See application file for complete search history.

(56) **References Cited**

U.S. PATENT DOCUMENTS

D139,879 S *	1/1945	French et al.	D22/108
D146,089 S *	12/1946	Roe	D22/108
D196,850 S	11/1963	Peterson		
D232,633 S *	9/1974	Weast	D22/109
D249,538 S	9/1978	Weast		
D261,545 S	10/1981	Holmberg		
D281,804 S *	12/1985	Bechtel	D22/108
D281,894 S *	12/1985	Bechtel	D22/108
4,574,508 A *	3/1986	Ross	D22/110
D286,424 S *	10/1986	Ekstrand	D22/110
D328,485 S	8/1992	Crowley		
D385,586 S	10/1997	Hanatani		
D394,096 S	5/1998	Edgar		
D411,868 S	7/1999	Herrick		
D413,646 S *	9/1999	Edgar	D22/110
D415,239 S	10/1999	Fell		
D424,651 S	5/2000	Primeau		
D426,612 S	6/2000	Primeau		
D429,791 S *	8/2000	Bullock	D22/111
D433,478 S	11/2000	Edgar		
D435,284 S	12/2000	Sutula		
D483,431 S *	12/2003	Squillante et al.	D22/109

D492,977 S *	7/2004	Squillante et al.	D22/109
D495,870 S *	9/2004	Verdugo	D22/108
D516,637 S *	3/2006	Orr	D21/570
D518,118 S *	3/2006	Orr	D21/570
D520,080 S *	5/2006	Orr	D21/570
D525,336 S *	7/2006	Esch	D22/108
7,210,261 B2	5/2007	Arachequesne		
D555,224 S	11/2007	Florea		
D556,850 S *	12/2007	Kincel	D22/108
D560,258 S	1/2008	Hatcher		
D568,957 S *	5/2008	Esch	D22/109
D571,415 S	6/2008	Jones		
D588,228 S *	3/2009	Swan	D22/109
D594,318 S	6/2009	Fell		
D599,431 S *	9/2009	Esch	D22/109
D600,312 S *	9/2009	Swan	D22/109

* cited by examiner

Primary Examiner—Philip S Hyder

Assistant Examiner—Cynthia M Chin

(74) *Attorney, Agent, or Firm*—QuickPatents, Inc.; Kevin Prince

(57)

CLAIM

I claim the ornamental design for a paintball marker gun pumparm rod guide, as shown and described.

DESCRIPTION

FIG. 1 is a reduced perspective view of a paintball marker gun pumparm rod guide, showing my new design;

FIG. 2 is a front elevational view thereof;

FIG. 3 is a rear elevational view thereof;

FIG. 4 is a left-side elevational view thereof;

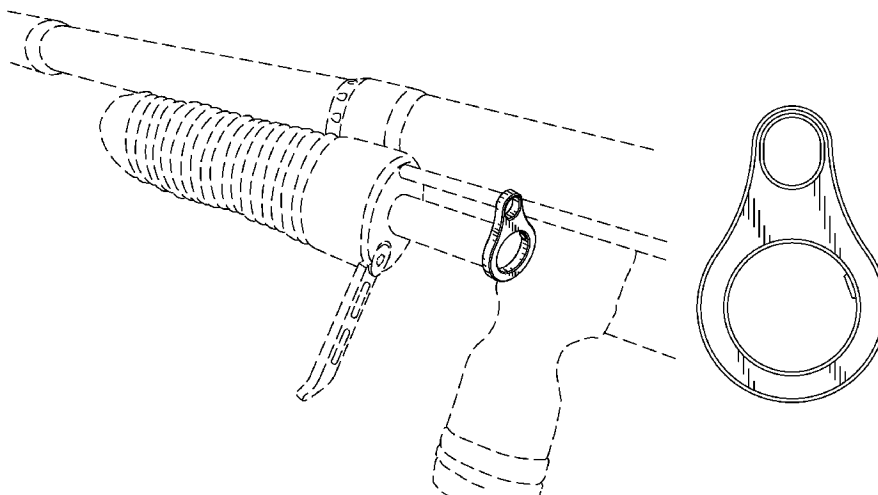
FIG. 5 is a right-side elevational view thereof;

FIG. 6 is a top plan view thereof; and,

FIG. 7 is a bottom plan view thereof.

The broken lines showing a paintball gun in FIG. 1 are included for the purpose of illustrating the invention in use, and form no part of the claimed design.

1 Claim, 2 Drawing Sheets



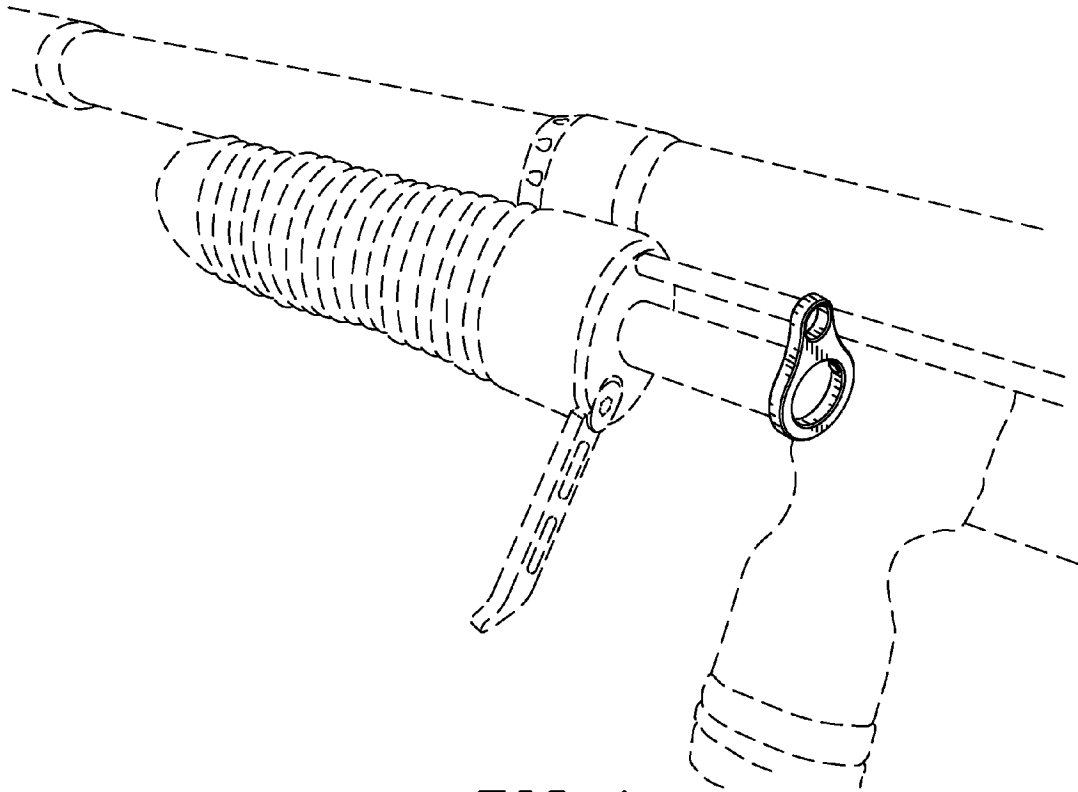


FIG. 1

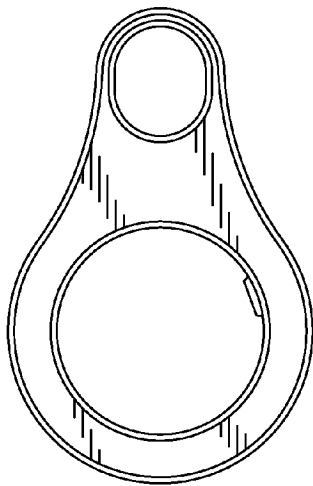


FIG. 2

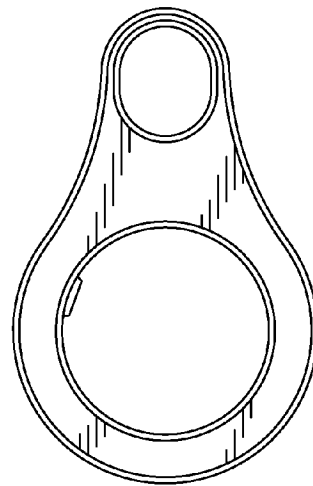


FIG. 3



FIG. 4



FIG. 5

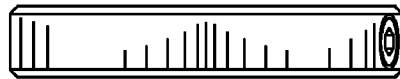


FIG. 6

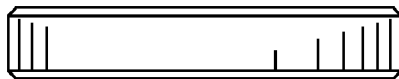


FIG. 7