



US00D607700S

(12) **United States Design Patent**  
**Foote**

(10) **Patent No.:** **US D607,700 S**

(45) **Date of Patent:** **\*\* Jan. 12, 2010**

(54) **CAN CADDY**

(76) Inventor: **Mike Foote**, 3 Park Hill Ter., Mahopac,  
NY (US) 10541

(\*\*) Term: **14 Years**

(21) Appl. No.: **29/328,735**

(22) Filed: **Dec. 1, 2008**

(51) **LOC (9) Cl.** ..... **07-07**

(52) **U.S. Cl.** ..... **D7/705; D7/703**

(58) **Field of Classification Search** ..... D7/701-708,  
D7/619.1-625, 629, 709; D3/273, 276, 283;  
D6/432, 436, 449; 220/500, 507, 509, 602,  
220/662, 23.83, 62.16

See application file for complete search history.

(56) **References Cited**

**U.S. PATENT DOCUMENTS**

D194,808 S *	3/1963	Stevens	.....	D7/703
D355,761 S *	2/1995	Campana et al.	.....	D3/273
D503,042 S *	3/2005	Gutierrez et al.	.....	D3/302

\* cited by examiner

*Primary Examiner*—Terry A Wallace

(74) *Attorney, Agent, or Firm*—QuickPatents, Inc.; Kevin Prince

(57) **CLAIM**

I claim the ornamental design for a can caddy, as shown and described.

**DESCRIPTION**

FIG. 1 is an exploded perspective view of a can caddy, showing my new design;

FIG. 2 is a front elevational view of the invention, the rear elevational view being a mirror image thereof;

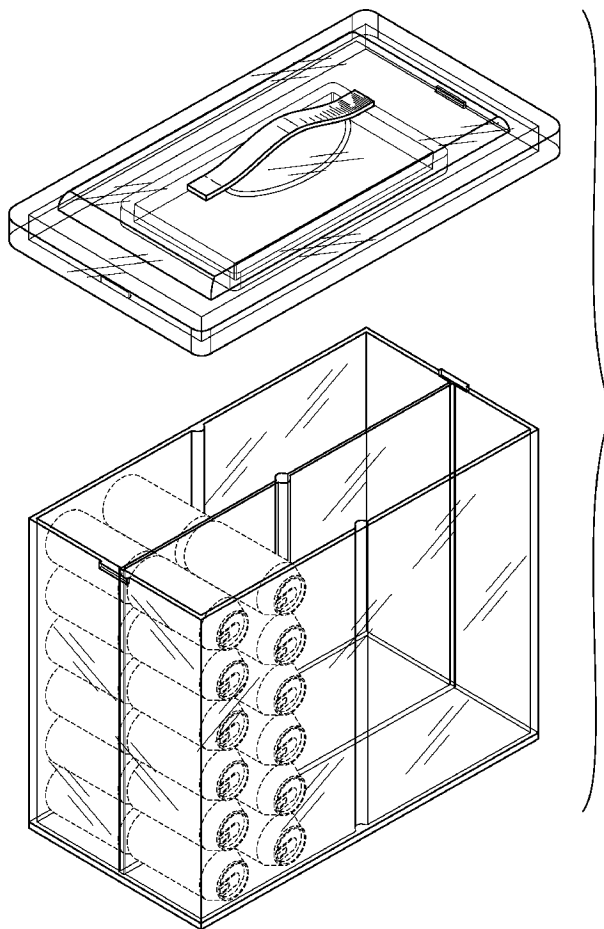
FIG. 3 is a left-side elevational view of the invention, the right-side elevational view being a mirror image thereof;

FIG. 4 is a top plan view of the invention; and,

FIG. 5 is a bottom plan view of the invention.

The broken lines showing cans in FIG. 1 are included for the purpose of illustrating the invention in use, and form no part of the claimed design.

**1 Claim, 3 Drawing Sheets**



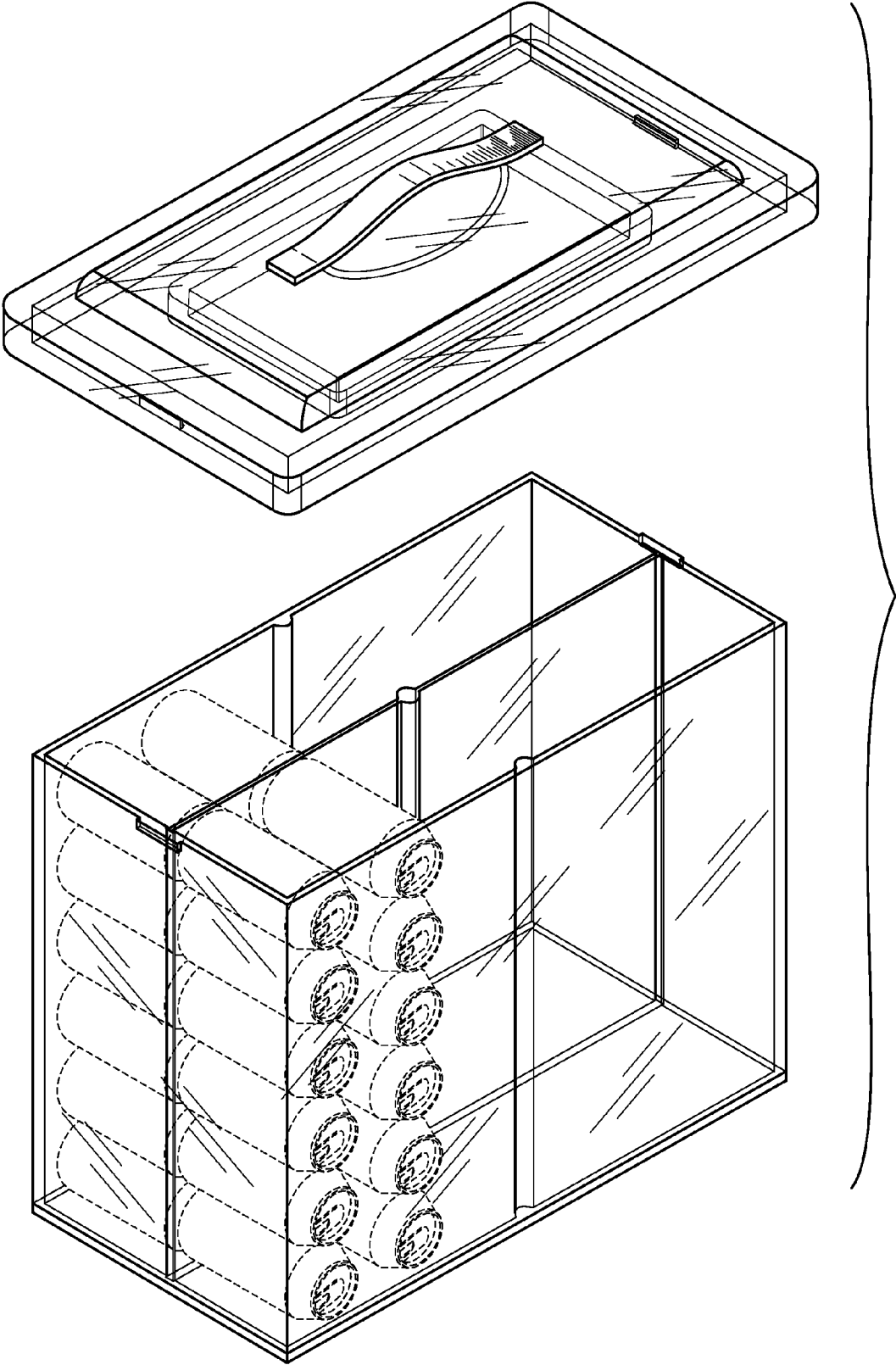


FIG. 1

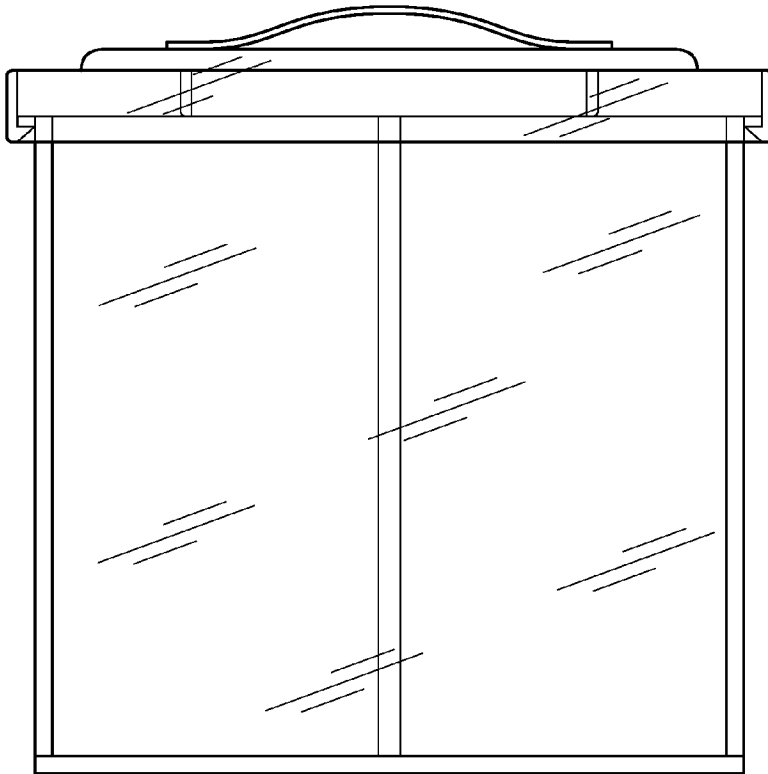


FIG. 2

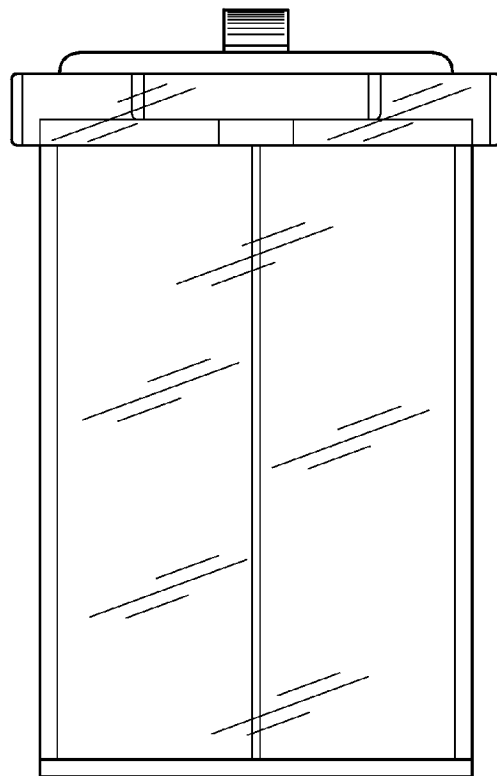


FIG. 3

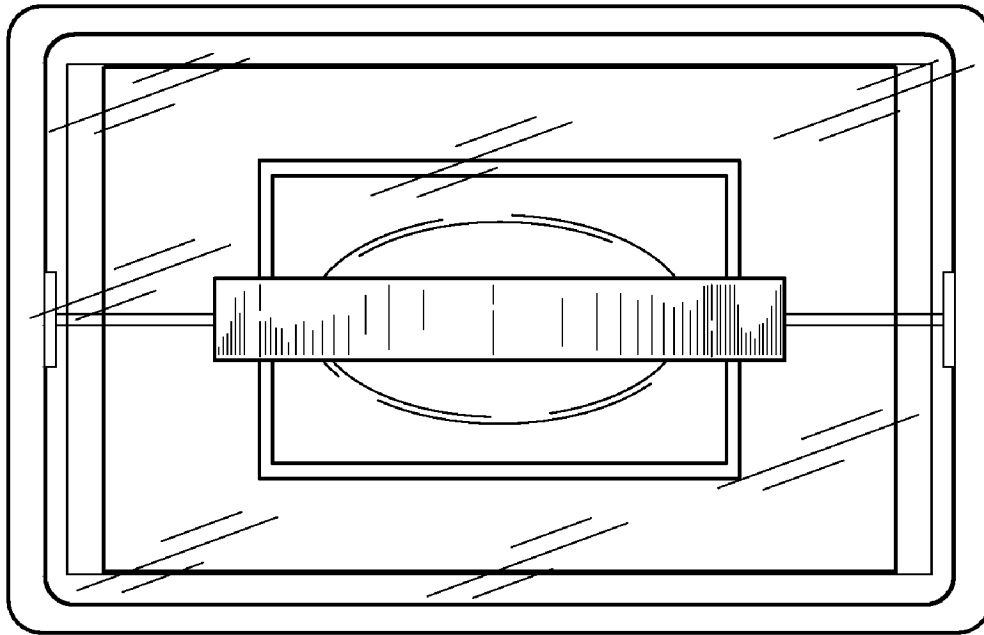


FIG. 4

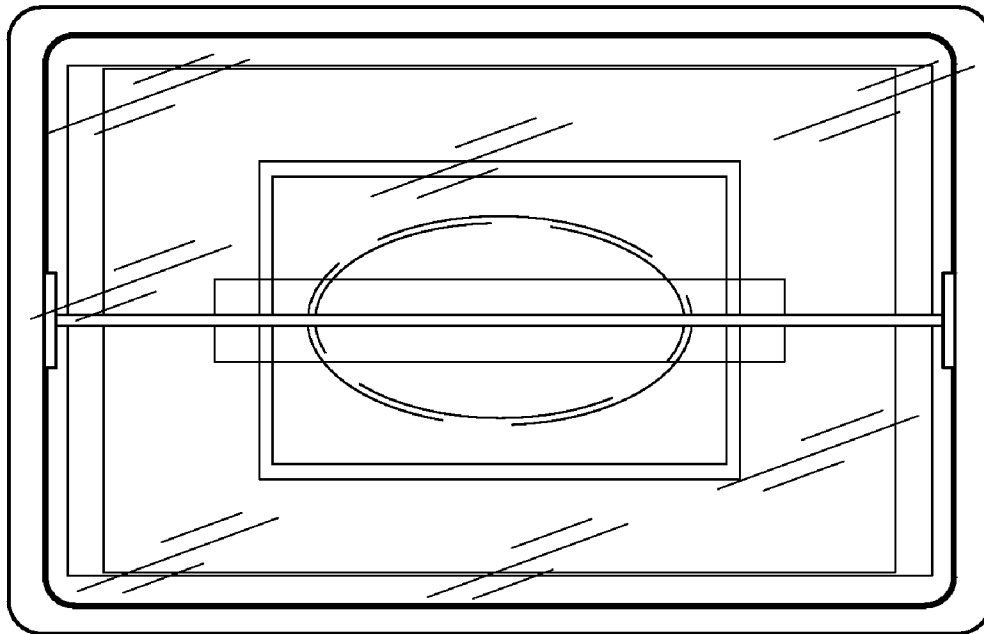


FIG. 5