



US00D605971S

(12) **United States Design Patent**  
**Esposito**

(10) **Patent No.:** **US D605,971 S**

(45) **Date of Patent:** **\*\* Dec. 15, 2009**

(54) **CALENDAR KEY PENDANT**

D578,303 S \* 10/2008 Shetler ..... D3/211

\* cited by examiner

(76) Inventor: **Michele Esposito**, 26106 Alizia Canyon  
Dr., Calabasas, CA (US) 91302

*Primary Examiner*—Cathron C Brooks

*Assistant Examiner*—Melanie Levy

(\*\*) Term: **14 Years**

(74) *Attorney, Agent, or Firm*—QuickPatents, Inc.; Kevin  
Prince

(21) Appl. No.: **29/338,284**

(22) Filed: **Jun. 8, 2009**

(57) **CLAIM**

I claim the ornamental design for a calendar key pendant, as  
shown and described.

(51) **LOC (9) Cl.** ..... **11-02**

(52) **U.S. Cl.** ..... **D11/60**

(58) **Field of Classification Search** ..... D11/60-61,  
D11/1, 2, 7, 40, 44, 48, 79-81, 86, 95-97,  
D11/99-100, 108, 109, 116; 63/13, 14.1,  
63/18-20, 23; D3/207-211; D8/347

**DESCRIPTION**

See application file for complete search history.

FIG. 1 is a perspective view of a calendar key pendant, show-  
ing my new design;

FIG. 2 is a front elevational view thereof;

FIG. 3 is a rear elevational view thereof;

FIG. 4 is a left-side elevational view thereof;

FIG. 5 is a right-side elevational view thereof;

FIG. 6 is a top plan view thereof; and,

FIG. 7 is a bottom plan view thereof.

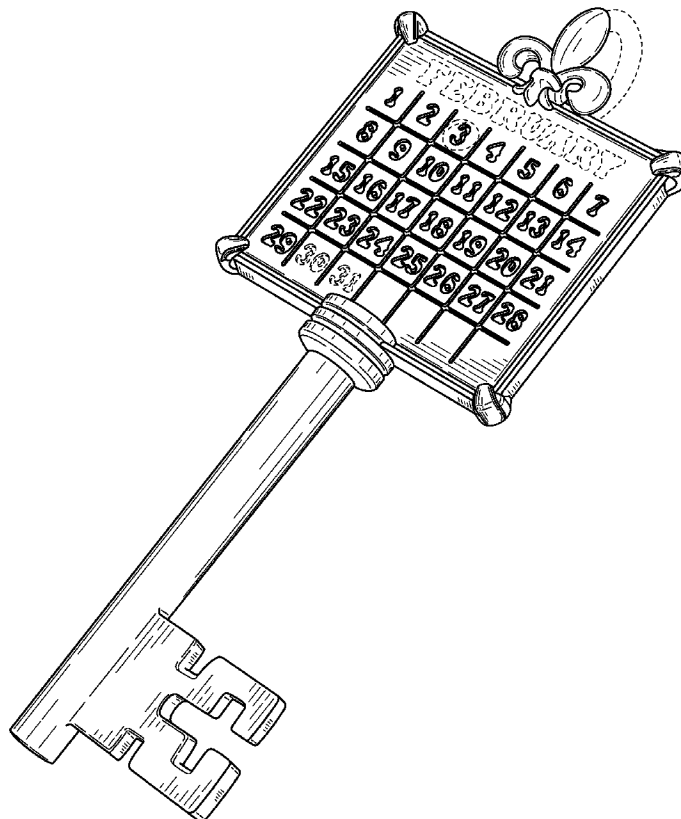
(56) **References Cited**

**U.S. PATENT DOCUMENTS**

D149,882 S *	6/1948	Katz	.....	D11/60
D165,394 S *	12/1951	Randall	.....	D11/101
D186,941 S *	12/1959	Hoys	.....	D3/211
D297,820 S *	9/1988	Chan	.....	D3/207
D305,216 S *	12/1989	Aucoin	.....	D11/105
D389,302 S *	1/1998	Ekeoba	.....	D3/208
D440,037 S *	4/2001	Bharaj	.....	D3/208
D510,185 S *	10/2005	Chan	.....	D3/208

The broken lines showing a month and the numbers 30 and 31  
in FIGS. 1 and 2, and the broken lines showing a jewel marker  
around the number 3 in FIGS. 1, 2, 4-7, and a necklace ring in  
all of the figures are included for the purpose of illustrating  
the invention in use, and form no part of the claimed design.

**1 Claim, 4 Drawing Sheets**



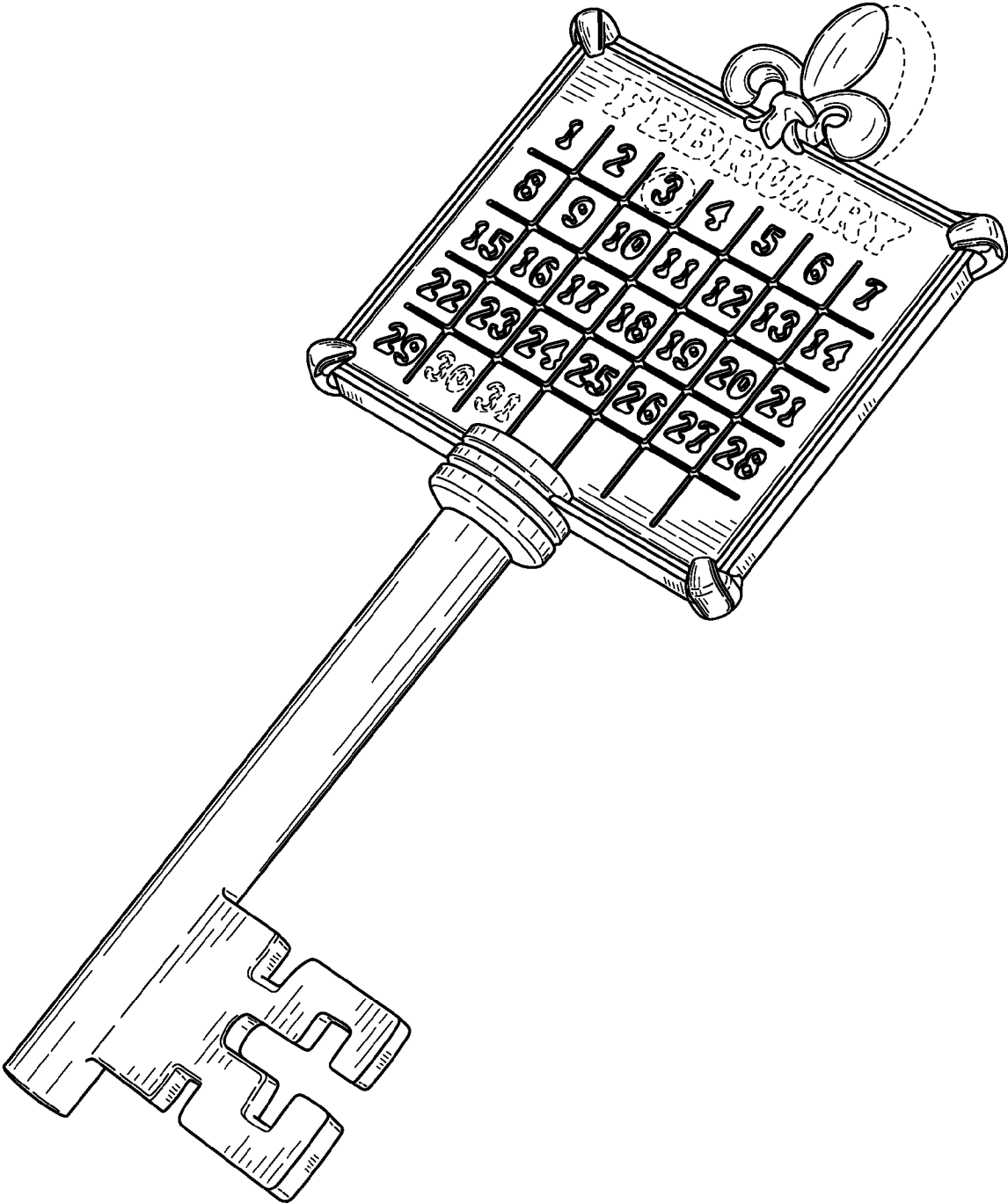


FIG. 1

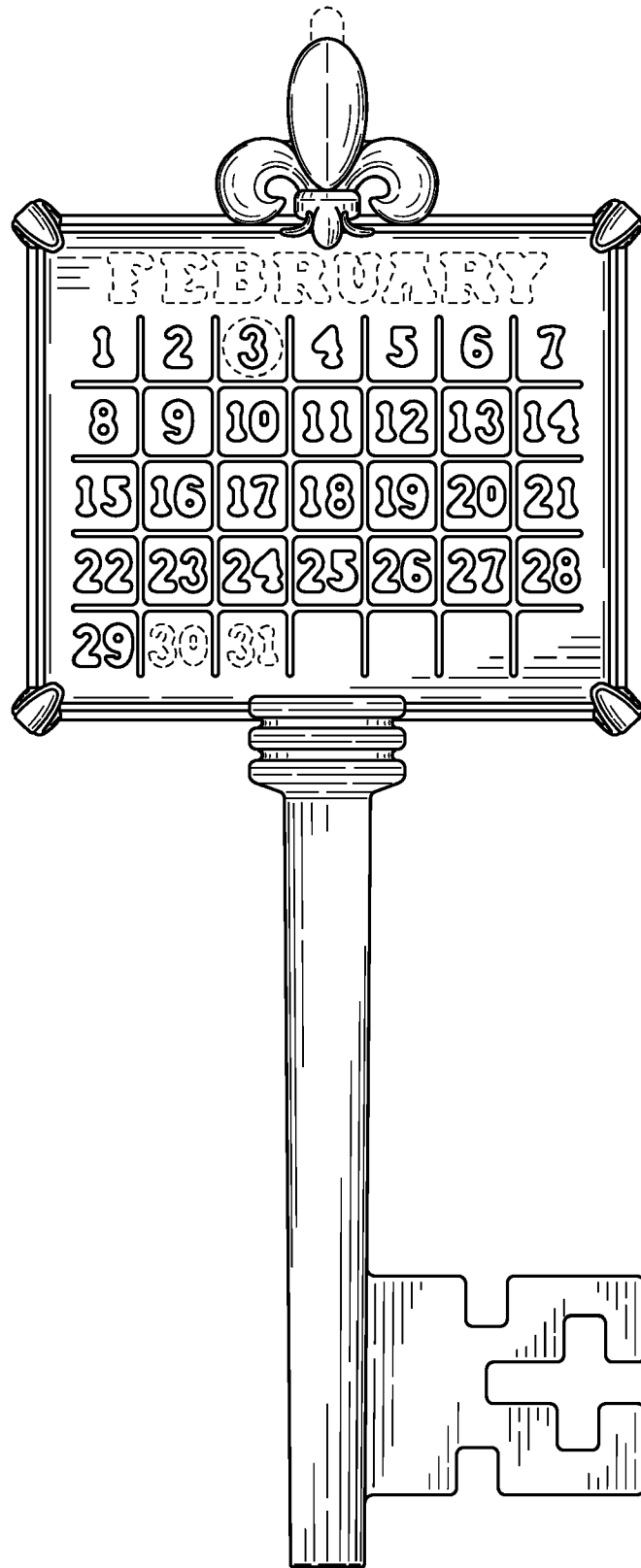


FIG. 2

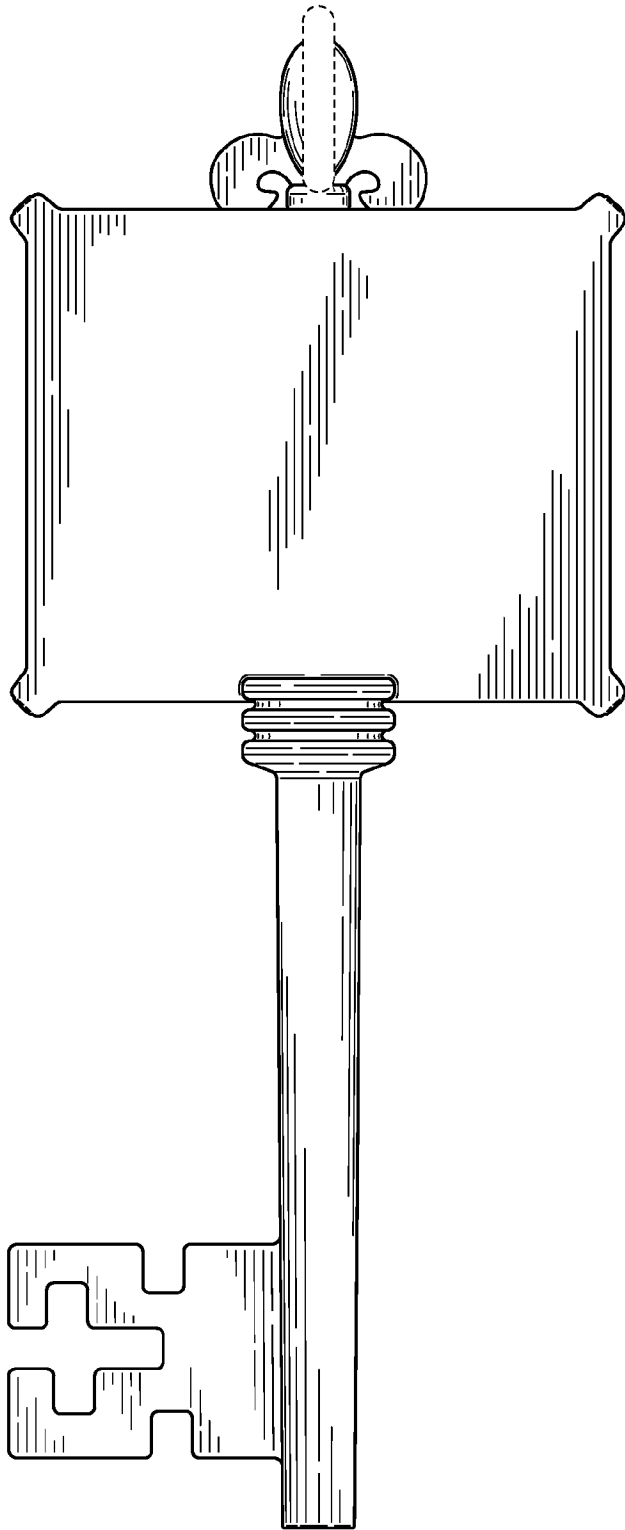


FIG. 3

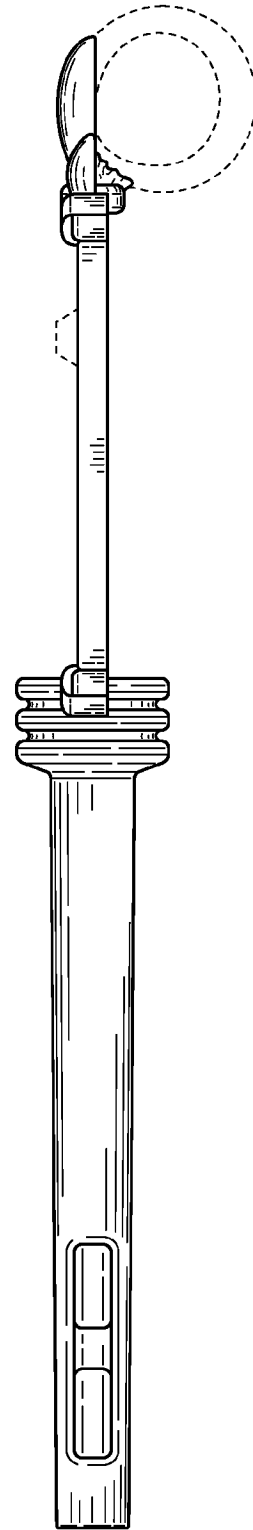


FIG. 4

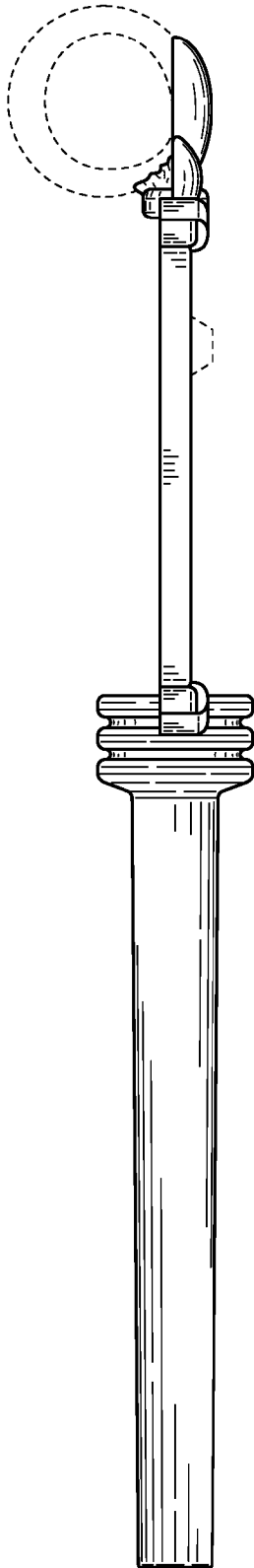


FIG. 5

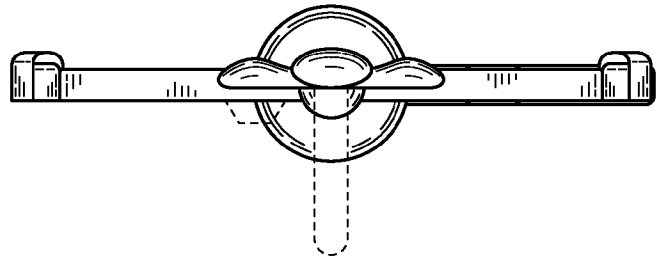


FIG. 6

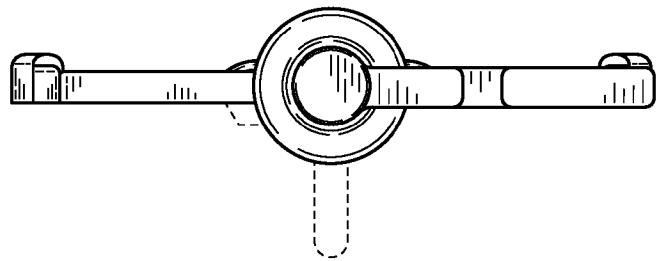


FIG. 7