



US00D610696S

(12) **United States Design Patent**
Makuch

(10) **Patent No.:** **US D610,696 S**

(45) **Date of Patent:** **** Feb. 23, 2010**

(54) **SOAP BAR WITH FOOT SCRUBBER AND MASSAGE ELEMENTS**

(76) Inventor: **Ruby Makuch**, 23531 Meadowlark, Oak Park, MI (US) 48237

(**) Term: **14 Years**

(21) Appl. No.: **29/338,230**

(22) Filed: **Jun. 8, 2009**

(51) **LOC (9) Cl.** **24-02**

(52) **U.S. Cl.** **D24/211; D24/212**

(58) **Field of Classification Search** D24/200, D24/211, 212, 213, 214, 215; 601/113, 118, 601/134-138; D4/120, 116-119, 137; D28/8.1, D28/20, 21, 56-59

See application file for complete search history.

(56) **References Cited**

U.S. PATENT DOCUMENTS

D28,682 S	5/1898	La Pierre	
D29,883 S	12/1898	Fox	
655,490 A *	8/1900	Hollen	601/135
D43,181 S	10/1912	Scheuer	
D44,415 S	7/1913	Scheuer	
D76,460 S	10/1928	De Vilbiss	
D88,356 S	11/1932	Johnson	
D103,819 S	3/1937	Guild	
D113,842 S	3/1939	Jobst	
D133,998 S *	10/1942	Parker	D4/116
D153,413 S	4/1949	Baumgartner	
2,546,291 A	3/1951	Baumgartner	
D190,559 S	6/1961	Vallis	
D261,428 S *	10/1981	Noble	D24/211
D280,868 S *	10/1985	Russell	D4/118
D296,390 S	6/1988	Bryant	

D344,633 S	3/1994	Ali	
D425,307 S *	5/2000	Choi	D4/120
D442,370 S	5/2001	Chen	
D456,575 S	4/2002	Celia	
D466,695 S *	12/2002	Chen	D4/120
D477,149 S	7/2003	Hay	
D491,271 S *	6/2004	Siegfried	D24/211
D508,147 S	8/2005	Pop	
D512,225 S *	12/2005	Chien	D4/120
D537,636 S	3/2007	Schuette	
D555,362 S	11/2007	Arvinte	
D583,566 S	12/2008	Meyer	
2009/0093743 A1 *	4/2009	Corzine	601/136

* cited by examiner

Primary Examiner—Cathron C Brooks

Assistant Examiner—Melanie Levy

(74) *Attorney, Agent, or Firm*—QuickPatents, Inc.; Kevin Prince

(57) **CLAIM**

I claim the ornamental design for a soap bar with foot scrubber and massage elements, as shown and described.

DESCRIPTION

FIG. 1 is a perspective view from above a soap bar with foot scrubber and massage elements, showing my new design;

FIG. 2 is a perspective view from below thereof;

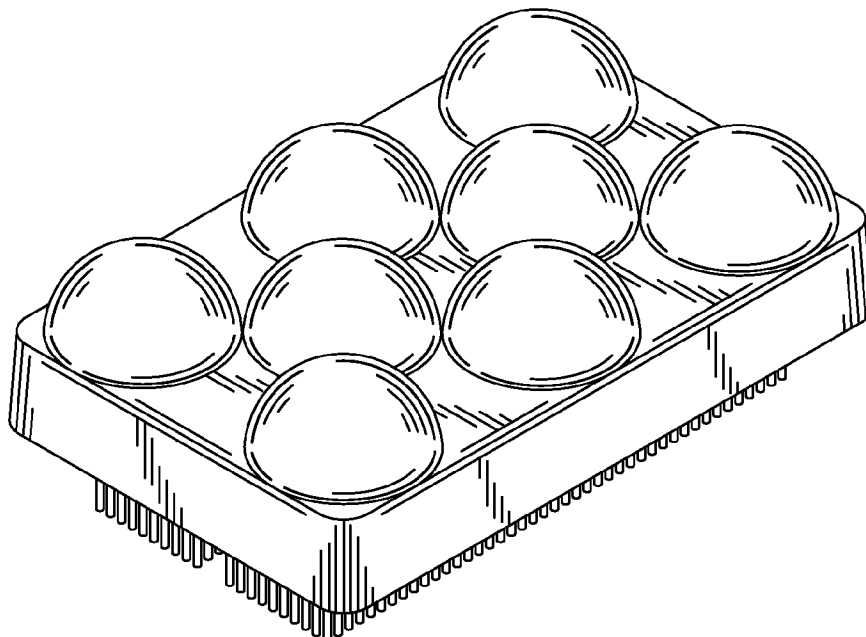
FIG. 3 is a front elevational view thereof, the rear elevational view being a mirror image thereof;

FIG. 4 is a top plan view thereof;

FIG. 5 is a left-side elevational view thereof, the right-side elevational view being a mirror image thereof; and,

FIG. 6 is a bottom plan view thereof.

1 Claim, 2 Drawing Sheets



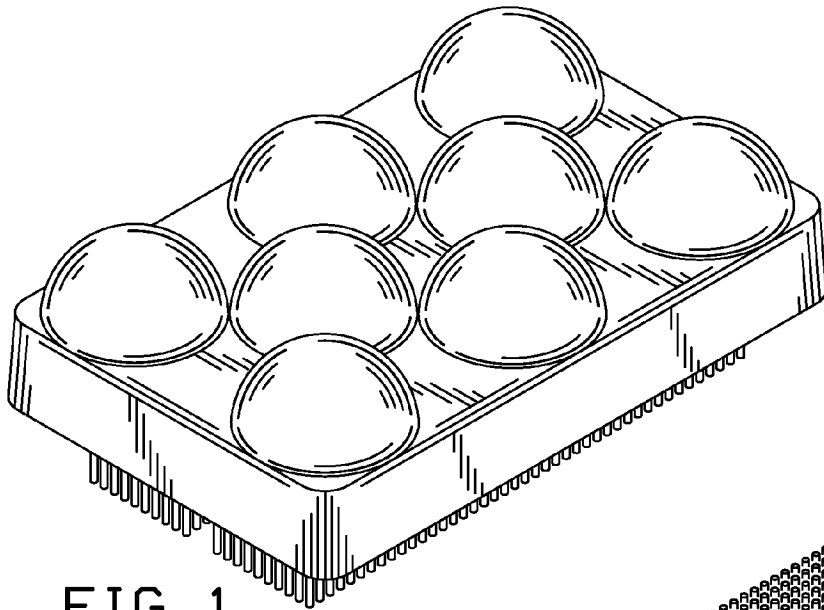


FIG. 1

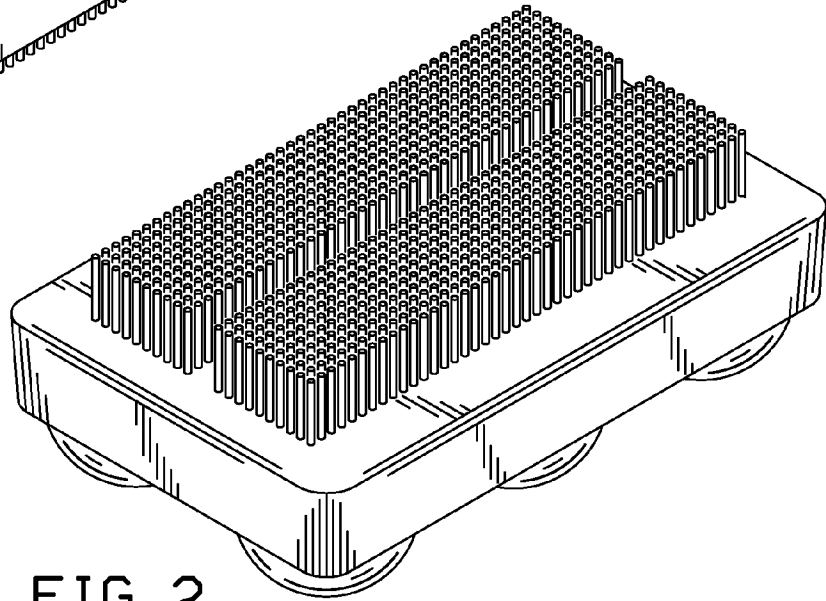


FIG. 2

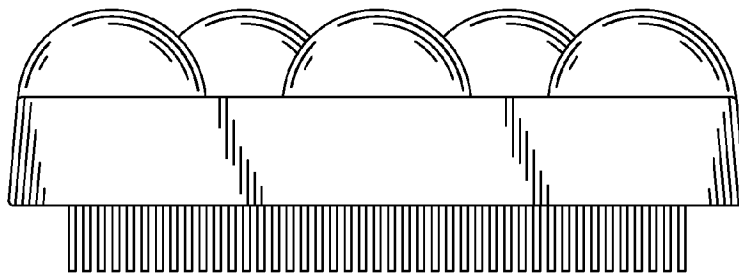


FIG. 3

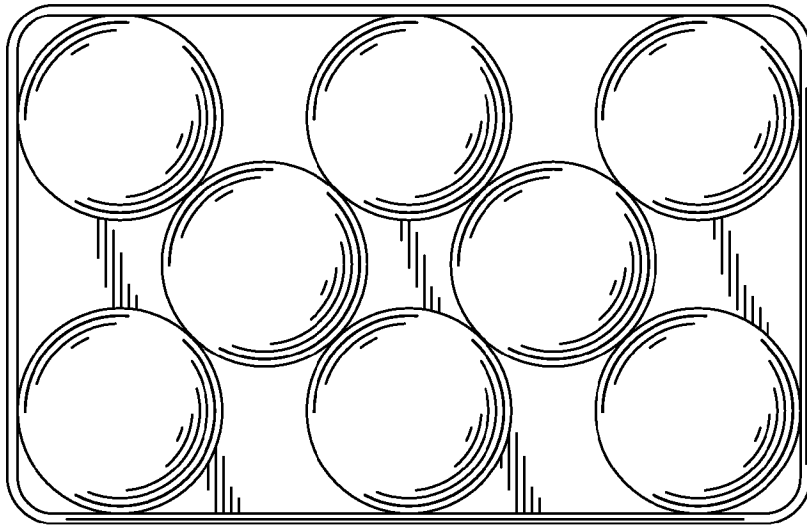


FIG. 4

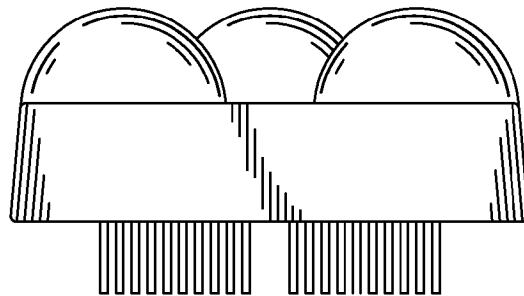


FIG. 5

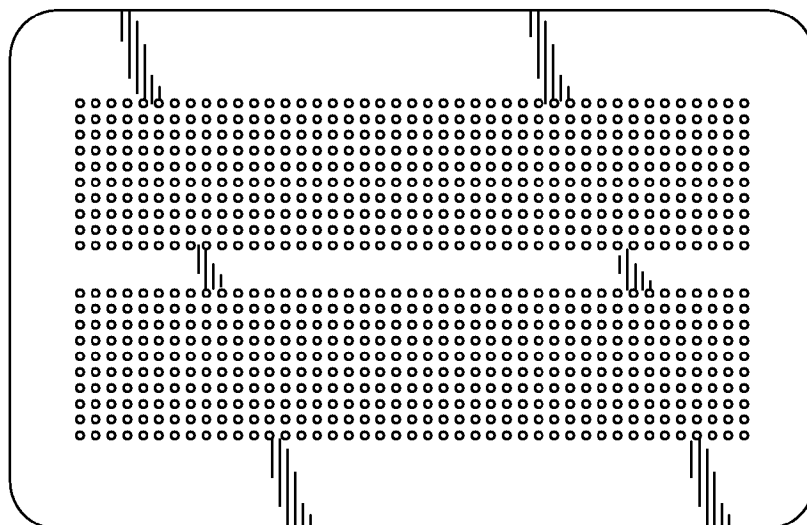


FIG. 6