



US00D607699S

(12) **United States Design Patent**
Wikstrom

(10) **Patent No.:** **US D607,699 S**

(45) **Date of Patent:** **** Jan. 12, 2010**

(54) **SPILL PREVENTION DEVICE**

2008/0029671 A1 2/2008 Lammers et al.

(76) Inventor: **Todd S. Wikstrom**, 9811 W. Charleston Blvd. #2-255, Las Vegas, NV (US) 89117

* cited by examiner

Primary Examiner—Ian Simmons
Assistant Examiner—Dana L Sipos
(74) *Attorney, Agent, or Firm*—QuickPatents, Inc.; Kevin Prince

(**) Term: **14 Years**

(21) Appl. No.: **29/332,022**

(22) Filed: **Feb. 6, 2009**

(57) **CLAIM**

I claim the ornamental design for a spill prevention device, as shown and described.

(51) **LOC (9) Cl.** **07-06**

(52) **U.S. Cl.** **D7/624.1**

(58) **Field of Classification Search** D7/590,
D7/601–602, 606–608, 619.1, 619.2, 622,
D7/624.1, 624.2, 625, 628, 388, 396.1, 396.2;
D9/455; 220/694, 703, 732, 737, 738, 739,
220/741–742, 903

See application file for complete search history.

DESCRIPTION

FIG. 1 is a perspective view of a spill prevention device, showing my new design;

FIG. 2 is a top plan view thereof;

FIG. 3 is a cross-sectional view thereof, taken generally along lines 3–3 of FIG. 2;

FIG. 4 is a cross-sectional view thereof, taken generally along lines 4–4 of FIG. 2;

FIG. 5 is a front elevational view thereof;

FIG. 6 is a rear elevational view thereof;

FIG. 7 is a left-side elevational view thereof, the right-side elevational view being a mirror image thereof; and,

FIG. 8 is a bottom plan view thereof.

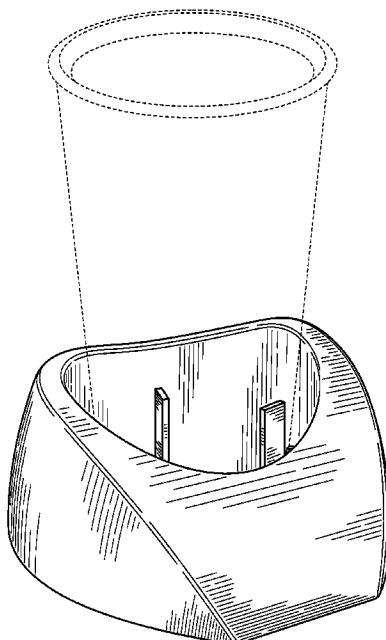
The broken lines showing a cup in FIG. 1 are included for the purpose of illustrating the invention in use, and form no part of the claimed design.

(56) **References Cited**

U.S. PATENT DOCUMENTS

132,808	A	*	11/1872	Currier	248/346.11
1,600,055	A	*	9/1926	Meyer	47/71
1,981,627	A	*	11/1934	Merriman	248/346.11
D160,667	S	*	10/1950	Sengstack	D7/701
3,606,074	A	*	9/1971	Hayes	220/212
D311,477	S	*	10/1990	Fallgatter et al.	D7/619.1
5,143,247	A	*	9/1992	Gavle	220/630
D330,816	S	*	11/1992	Phillips	D6/457
D448,978	S	*	10/2001	Isbell	D7/619.1
D529,838	S	*	10/2006	Boling	47/71

1 Claim, 4 Drawing Sheets



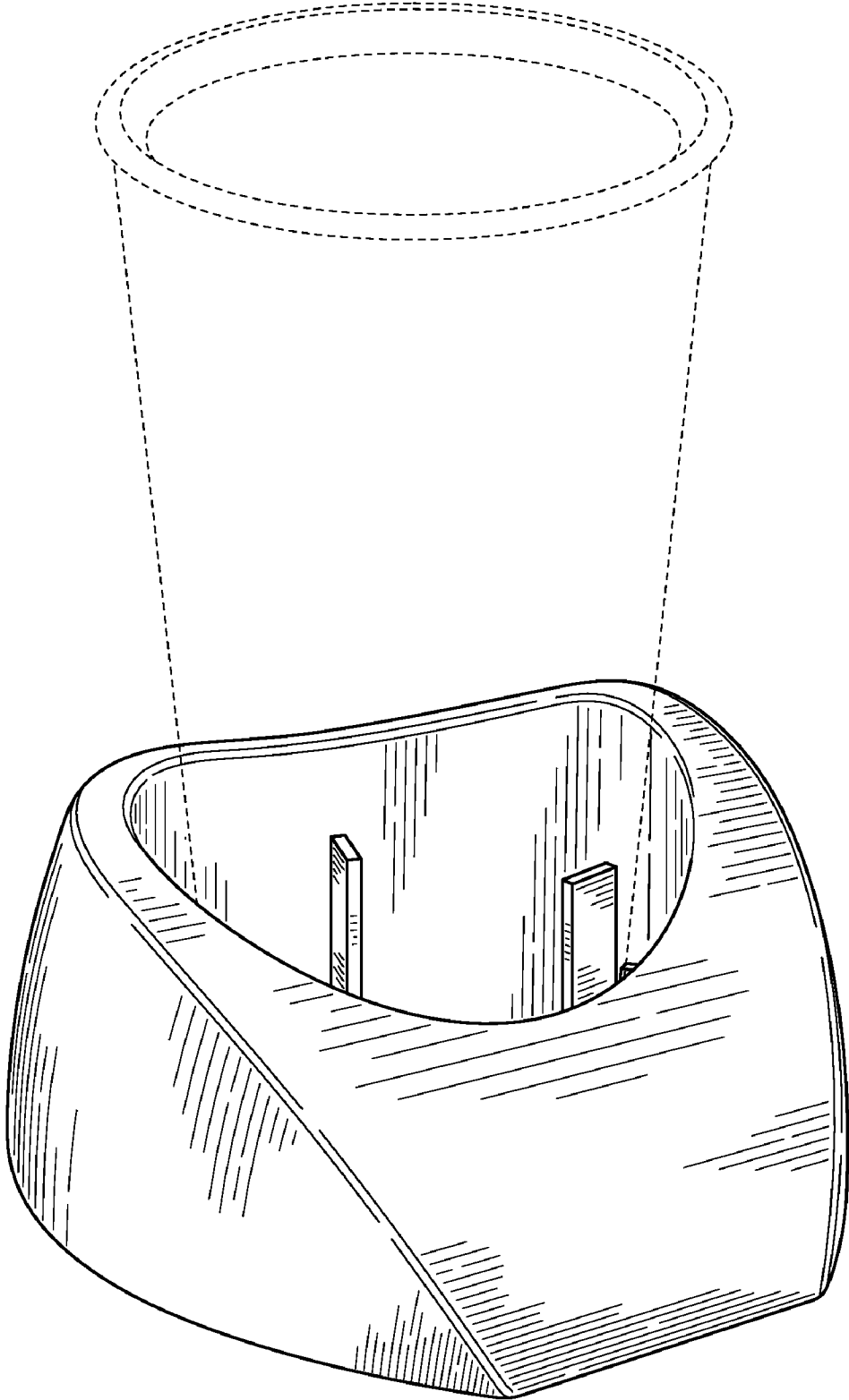


FIG. 1

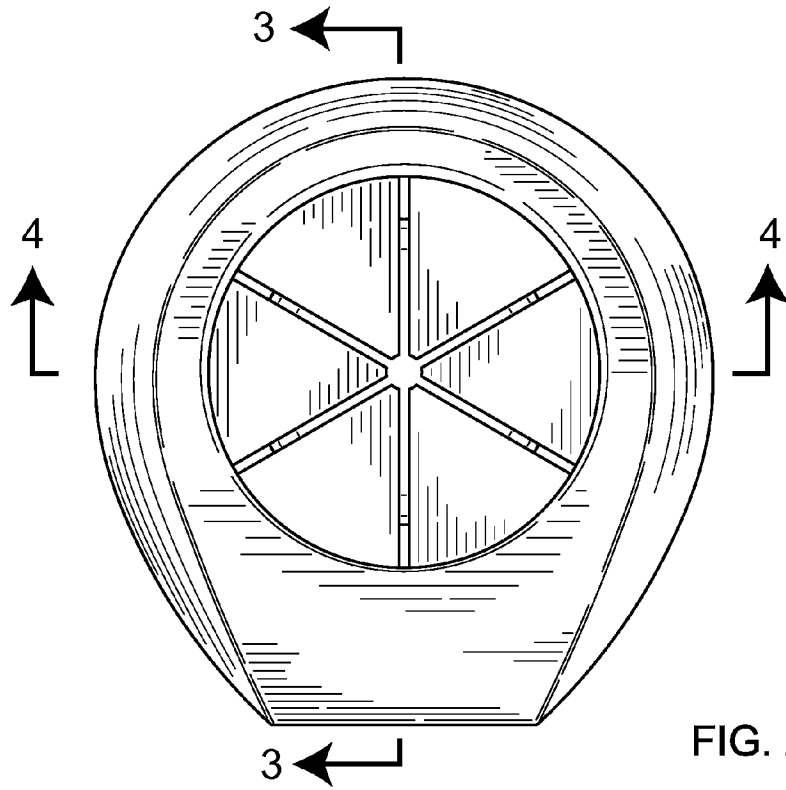


FIG. 2

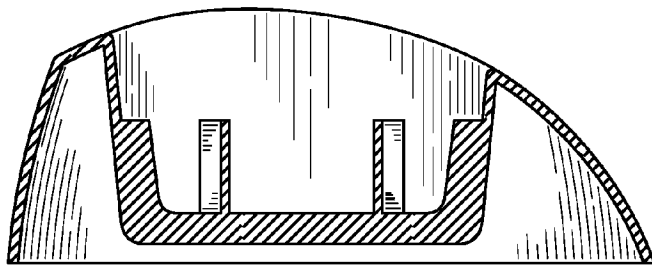


FIG. 3

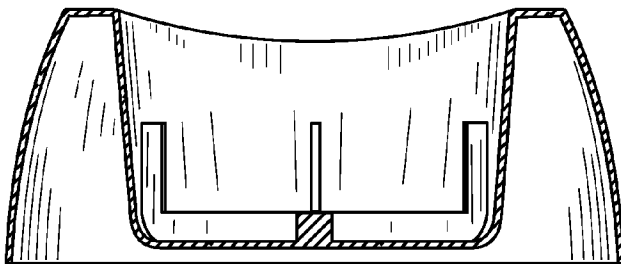


FIG. 4

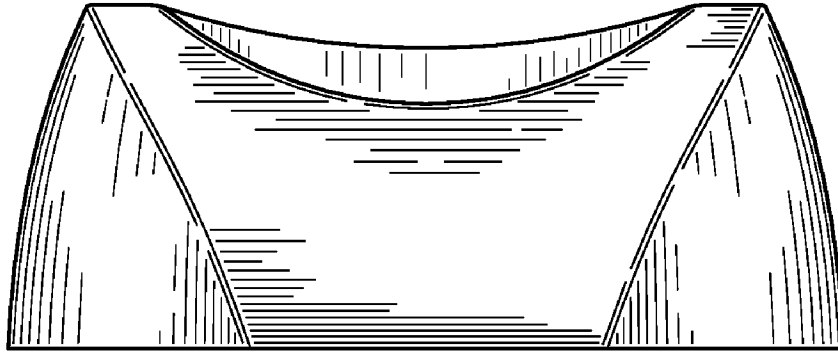


FIG. 5

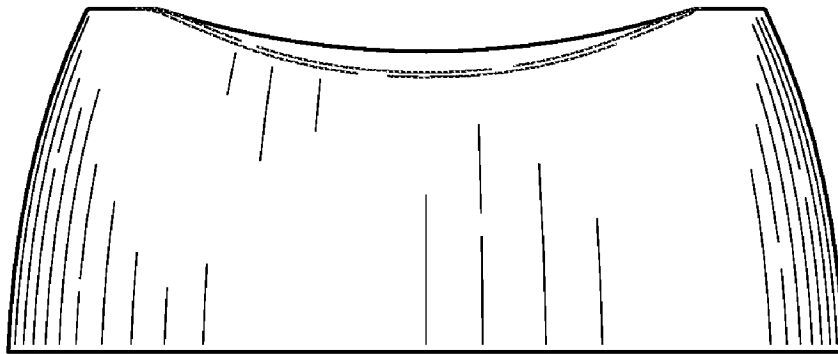


FIG. 6

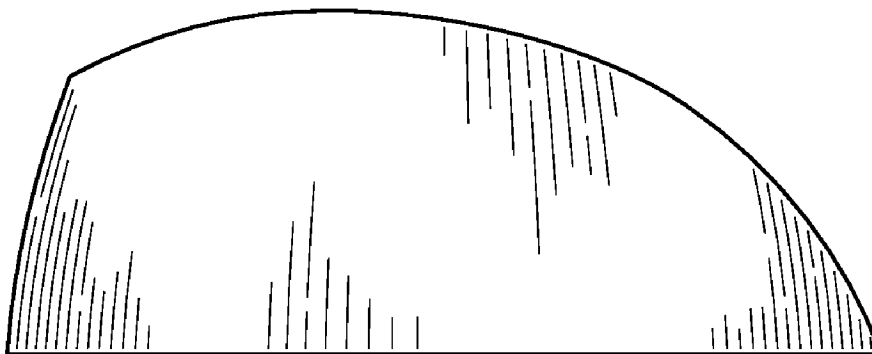


FIG. 7

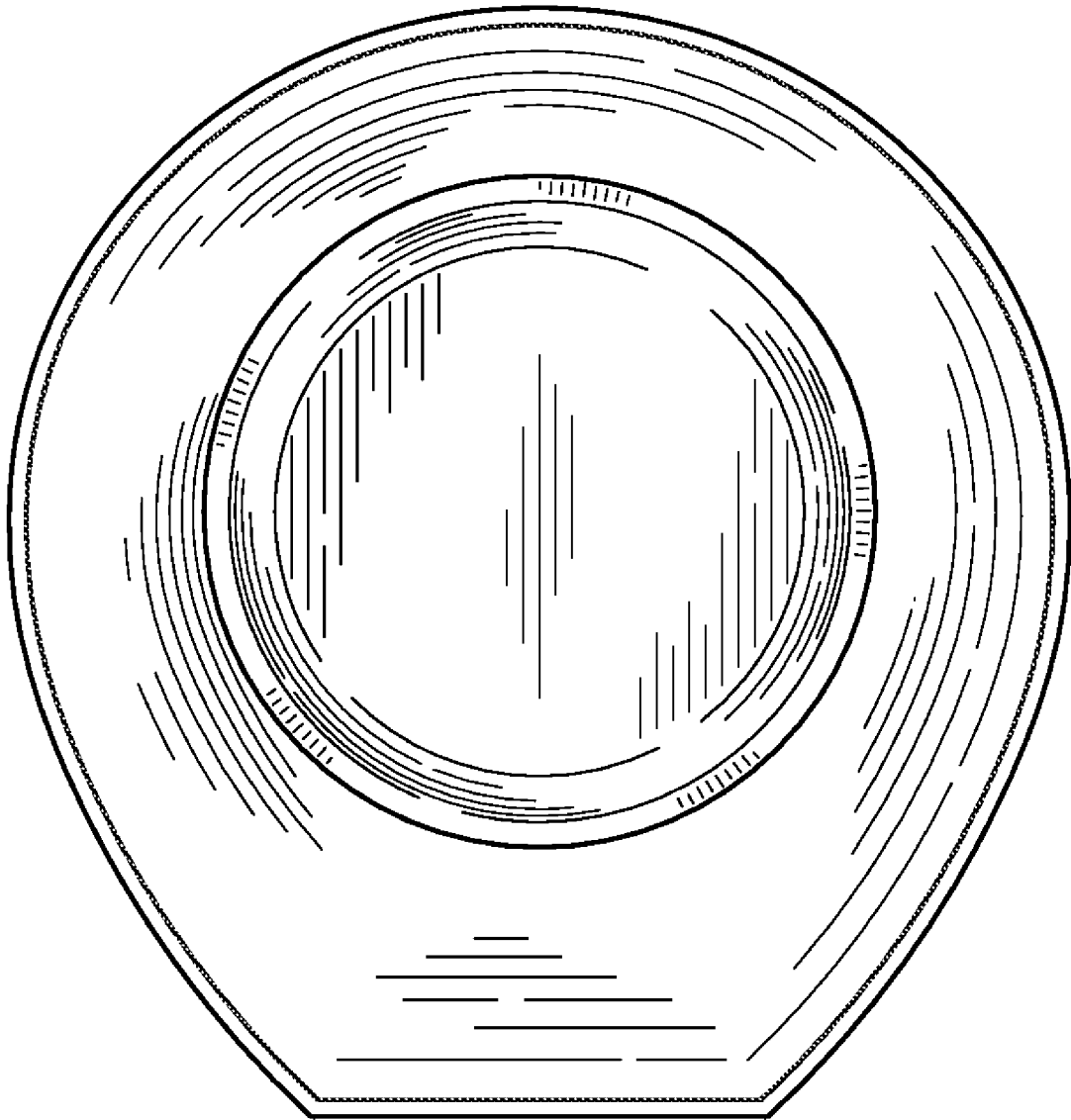


FIG. 8